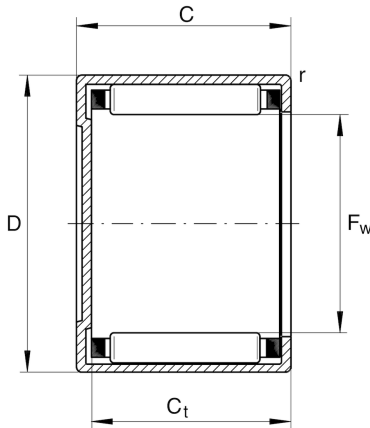
**BK1412-A**

Drawn cup needle roller bearing closed end

Schaeffler ID:
0001769740000Drawn cup needle roller bearings with
closed end BK, to DIN 618/ISO 3245

Technical information

**Main Dimensions & Performance Data**

F_w	14 mm	Under roller diameter
D	20 mm	Outside diameter
C	12 mm	Width, outer ring
C_r	7,100 N	Basic dynamic load rating, radial
C_{0r}	8,500 N	Basic static load rating, radial
C_{ur}	1,030 N	Fatigue load limit, radial
n_G	17,500 1/min	Limiting speed
$n_{G \text{ Grease}}$	10,500 1/min	Limiting speed for grease lubrication
n_{gr}	13,500 1/min	Reference speed
	11.52 g	Weight

Additional information

r_{\min}	0.8 mm	Minimum chamfer dimension
	SD14X20X3	Sealing ring
$C_{t \min}$	9.3 mm	Minimum width to base of drawn cup with closed end
	G14X20X3	Sealing ring 2
	IR10X14X13-XL	Suitable inner rings IR

Temperature range

T_{\min}	-30 °C	Operating temperature min.
T_{\max}	140 °C	Operating temperature max.